

## Assembly Instructions for

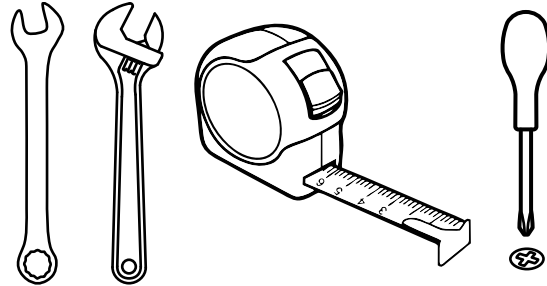
- AN1 (2-PIECE) CANOPY
- AN2 (3-PIECE) CANOPY

**IMPORTANT**

**IMPORTANT:**  
 THIS PRODUCT DOES NOT PROVIDE FALLING OBJECT PROTECTION

### ESSENTIAL TOOLS REQUIRED:

- Two 3/4" wrenches
- Two 9/16" wrenches (or adjustable)
- Tape measure
- Phillips Head Screw Driver



### TRANSPORTING:

When Transporting the Tractor with a CANOPY at highway speeds, make sure the Tractor is positioned to prevent wind damage to the CANOPY.

## PARTS LIST

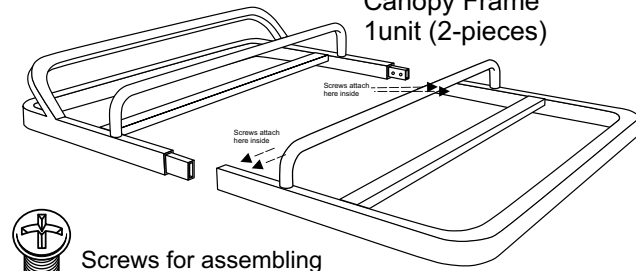
### AN1 - 2-Piece Canopy:

Part: AN1 Aluminum Canopy Frame 1unit (2-pieces)

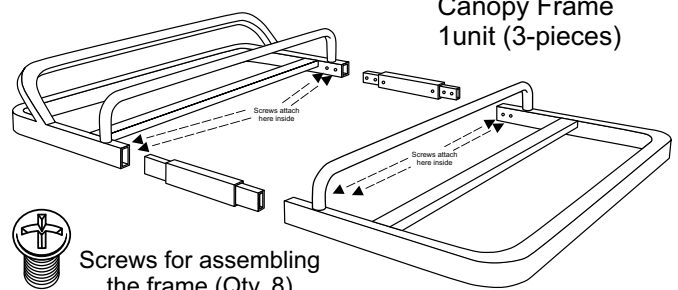
OR

### AN2 - 3-Piece Canopy:

Part: AN2 Aluminum Canopy Frame 1unit (3-pieces)

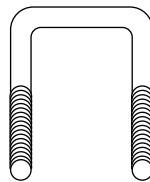
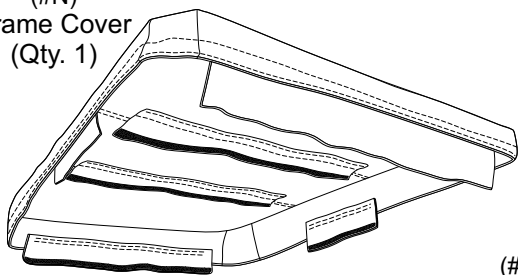


Screws for assembling the frame (Qty. 4)

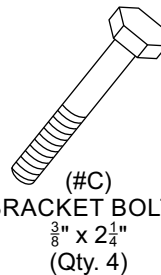


Screws for assembling the frame (Qty. 8)

(#N) Frame Cover (Qty. 1)



(#G) U-BOLTS (Qty. 4)  
 2X2, 3X2, 4X2, OR 5X2  
 (for mounting the brackets to the roll bars on the tractor)

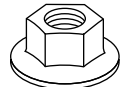


(#C) BRACKET BOLTS  
 $\frac{3}{8}$ " x  $2\frac{1}{4}$ " (Qty. 4)

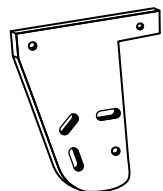
(#D) PLAIN WASHERS  
 3/8" GRADE 8 (Qty. 4)



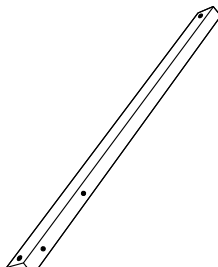
(#E) FLANGE NUTS  
 3/8" (Qty. 4)



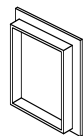
BOLTS, WASHERS, AND NUTS (#C, D, E)  
 (for mounting the brackets to the square tubes)



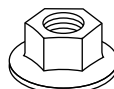
(#A) CANOPY MOUNT BRACKETS (Qty. 2)  
 (CMB-left & CMB-right)



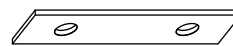
(#B) SQUARE TUBES  
 40" x  $1\frac{1}{2}$ " (Qty. 2)



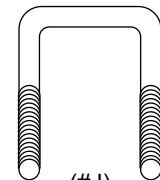
(#F) FORMED END CAPS (Qty. 4)  
 (to cap square tube ends)



(#H) FLANGE NUTS 3/8" (for u-bolts)(Qty. 16)



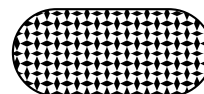
(#I) METAL MOUNTING STRAPS (Qty. 4)  
 (for mounting the 3x3 u-bolts to the square tubes top)



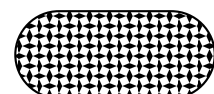
(#J) 3X3 THREADED U-BOLTS (Qty. 4)  
 (for mounting top to the square tubes)



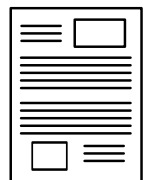
(#K) Alcohol wipes (to clean the top, for reflector application)



(#L) Reflectors - Amber (Qty. 2)



(#M) Reflectors - Red (Qty. 2)

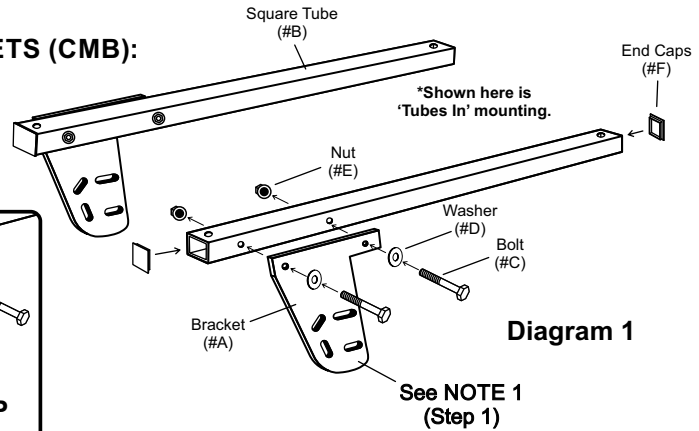


Assembly Instructions

**IMPORTANT:** Never modify or repair a ROPS. Welding, bending, drilling, grinding, or cutting may weaken the structure.

## STEP 1 ASSEMBLING THE CANOPY MOUNT BRACKETS (CMB):

Verify your square tubes (#B) have the square end caps (#F). Align bracket (#A) on holes of square tubing (#B) using bolt (#C), washer (#D) and nut (#E), assembled per Diagram 1, creating the Canopy Mounting Brackets (CMB).



**NOTE 1 (Step 1)**

Forward Leaning ROPS

If you have a forward leaning ROPS than flip brackets (#A) front to back (both sides).

FLIP

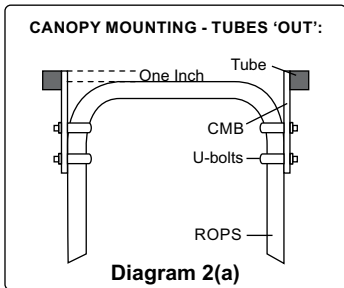
## STEP 2 ATTACHING THE TUBE UNITS TO THE ROLL OVER PROTECTION SYSTEM (ROPS) :

Measure the outside to outside width of the Roll Over Protection System (ROPS) to determine whether the tubes mount inward or outward as shown in the Diagrams 2(a) and 2(b) below.

### TUBES OUT

On applications with the Tubes **OUT**, attach them with the tubes facing outward, 1" above the top of the Roll-Bar.

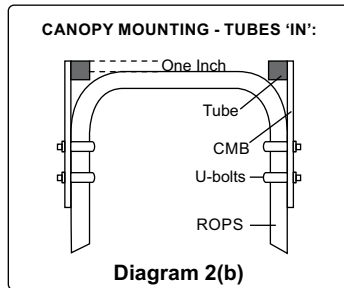
AN1: measures less than 36 inches  
AN2: measures less than 42 inches



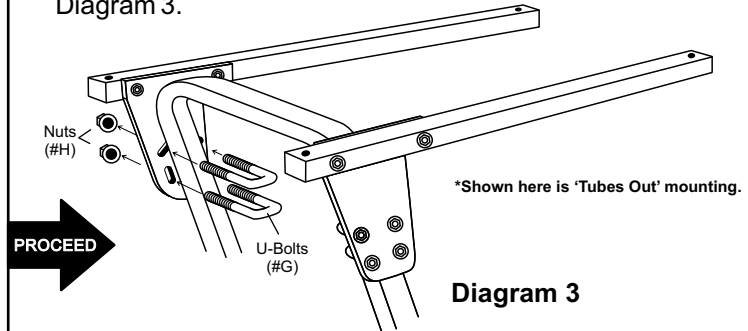
### TUBES IN

On applications with the Tubes **IN**, attach them with the tubes facing inward, 1" above the Roll-Bar.

AN1: measures more than 36 inches  
AN2: measures more than 42 inches



Take CMB bracket left and right and **loosely** bolt them to the ROPS with the u-bolts (#G) and nuts (#H) as per Diagram 3.

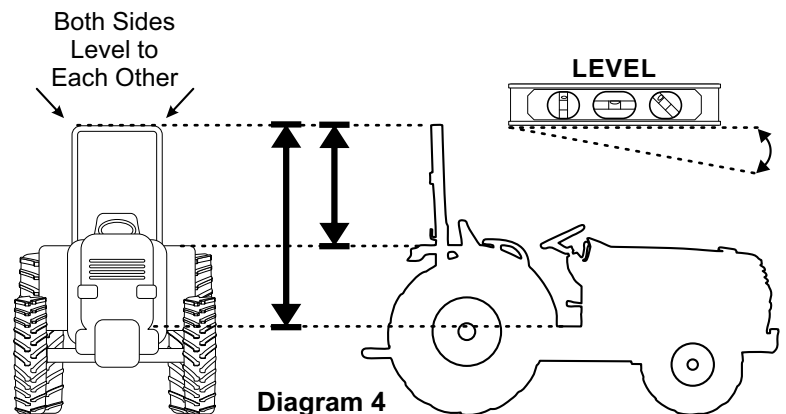


### NOTE 1 (Step 2):

- (1) ROPS that are tapered toward the centerline will not sit flush with the canopy.
- (2) Canopies that have a bracket welded to the sides of the ROPS either need to remove the bracket or add a SPACER between CMB and the ROPS during installation.
- (3) Contact Cover My Tractor if longer U-bolts (#G) are needed.

## STEP 3

The tubes should be raised and lowered per the tractor cab enclosure mounting diagram if one is available. The roof should still have a slight tilt to allow water to roll off. Mount either level or with a very slight angle front to back. Make sure brackets are the same height on each side, by measuring the distance off a common point on the tractor on both sides per Diagram 4. You can check with Cover My Tractor for model measurements or download them off of our website. If no tractor cab pattern exists then no measurements will exist. Check back as we are constantly adding tractor cab patterns to our website. Tighten once the brackets are positioned and level.



# STEP 4 ASSEMBLING THE CANOPY FRAME:

OR

## AN1 - 2-Piece Canopy:

**Part:** AN1 Aluminum Canopy Frame  
1 unit (2-pieces)

**NOTE:** be sure to take out any screws before sliding pieces together, once together, return the screws and hand tighten.



Proceed

Assemble the 2 pieces of the Canopy Frame (front and back) by matching the marked letters (EX: A-A, B-B).

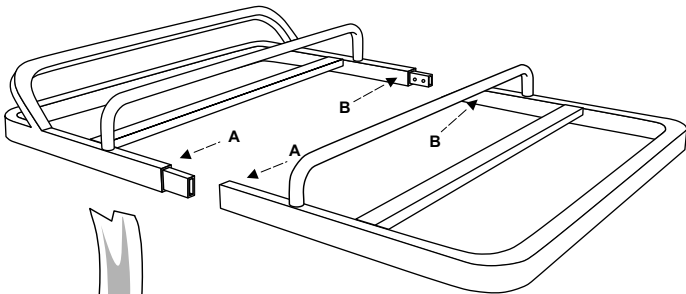
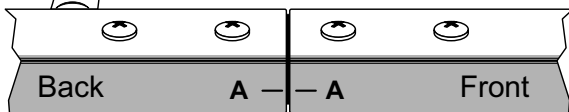


Diagram 5



## AN2 - 3-Piece Canopy:

**Part:** AN2 Aluminum Canopy Frame  
1 unit (3-pieces)

**NOTE:** be sure to take out any screws before sliding pieces together, once together, return the screws and hand tighten.



Proceed

Assemble the 3 pieces of the Canopy Frame (front, middle and back) by matching the marked letters (EX: A-A, B-B, C-C, & D-D).

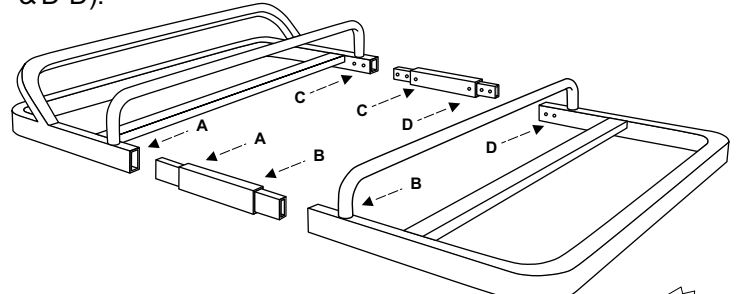


Diagram 6

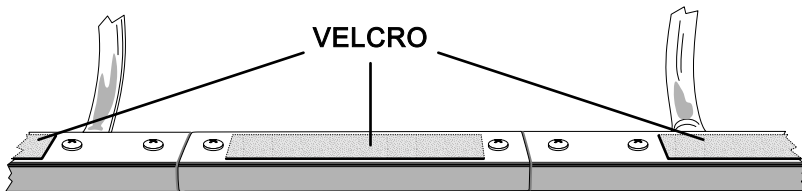
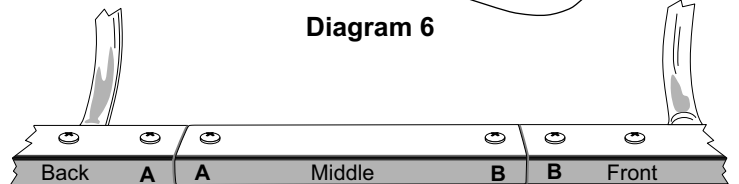


Diagram 7

**NOTE:** Before placing your roof on top of the square tubes, check your aluminum roof to make sure the white velcro is on the inside of the frame. (as in Diagram 7)

# STEP 5 INSTALLING THE CANOPY FRAME ONTO THE CANOPY MOUNTING BRACKETS (CMB):

Place the aluminum roof on to the square tubes as shown in Diagram 8. The tubes should be snug.

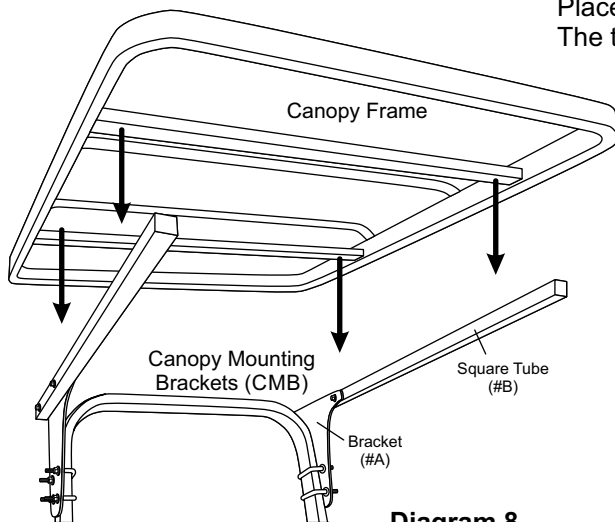


Diagram 8

The canopy frame will be secured in the four places where the tubes cross the frame cross bars, as shown in Diagram 9.

Continue on to page 4...

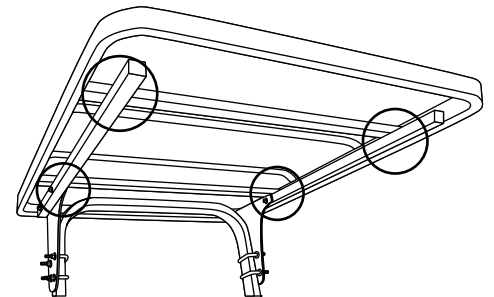
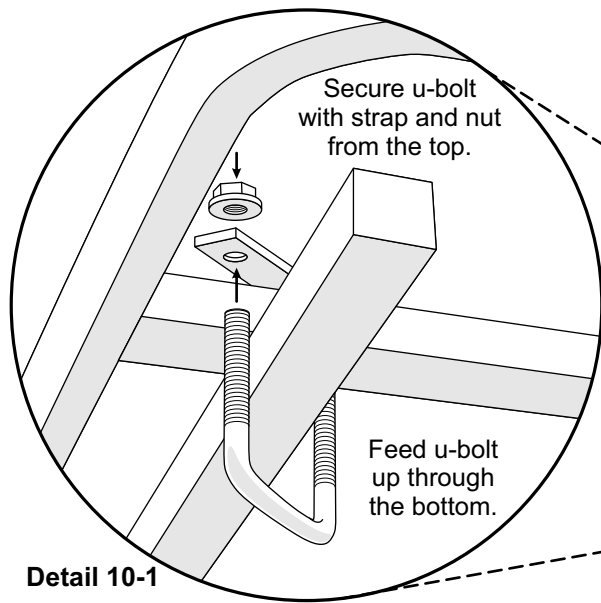


Diagram 9



Detail 10-1

Using the 3x3 u-bolts (part #J), flange nuts (part #H), and the metal straps (part #I), secure the Canopy Frame to the square tubes of the CMB (use 2 on each side). Do not make them tight, you must be able to move them to adjust the roof once the enclosure is hanging. (see Diagram 10 and Detail 10-1)

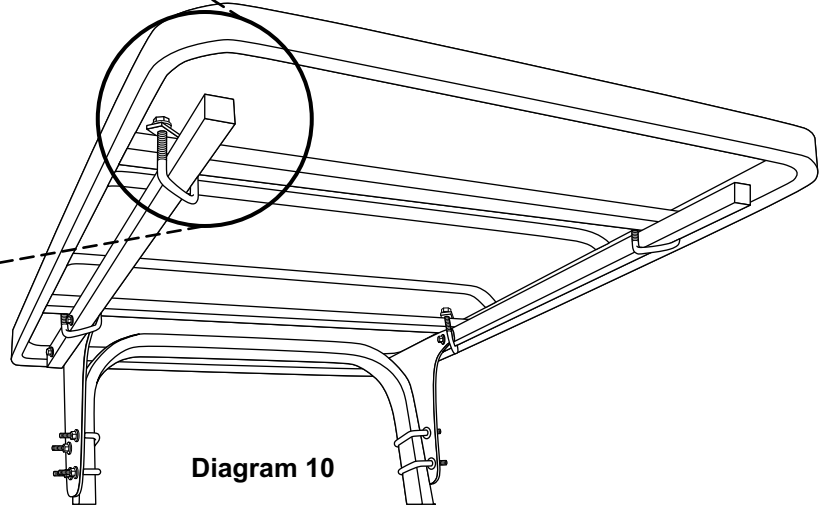


Diagram 10

## STEP 6

### INSTALLING THE CANOPY COVER:

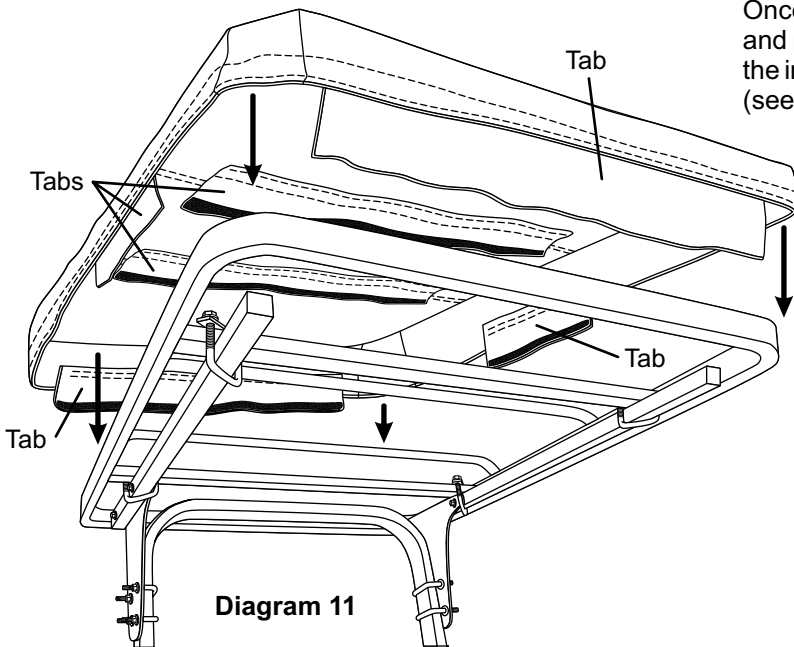


Diagram 11

Once the roof is on and it is snug, place the cover (#N) over the roof and pull the tabs around the frame to attach to the velcro located on the inside of the frame and around the two cross bars. (see Diagrams 11 and 12, and Detail 12-1)

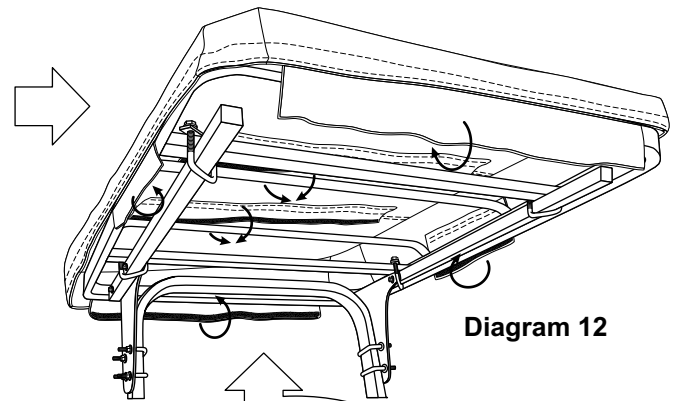
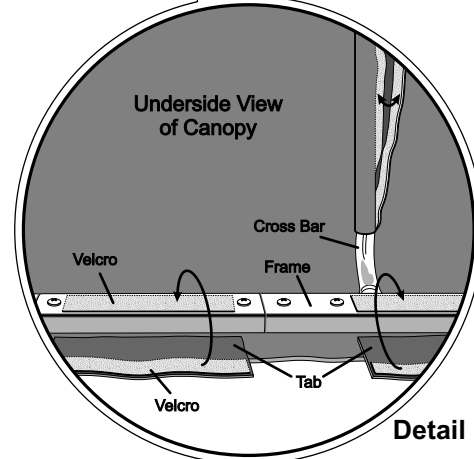


Diagram 12



Detail 12-1

If you purchased an enclosure you are to follow the installation instructions for your enclosure. If not, you may tighten all bolts to secure your roof to your tractor and enjoy.



#### CARE AND MAINTENANCE:

Wash canopy with mild dish soap. Rinse and dry off immediately with a soft cloth or chamois. For a full line of products for your tractor visit us online at [COVERMYTRACTOR.COM](http://COVERMYTRACTOR.COM).