



SWINGING TRACTOR DOOR Installation Instructions

Order on-line at CoverMyTractor.com
or call us at (904) 316-0532



⚠️ TO AVOID PERSONAL INJURY:

- ▲ Position the tractor on level ground
- ▲ Place loader bucket flat on ground (if equipped)
- ▲ Apply parking brake
- ▲ Shut off engine
- ▲ Remove key

⚠️ TRANSPORTING:

- ▲ When transporting the tractor with a canopy, or cab enclosure, at highway speeds removal would be ideal, unless the tractor is being transported in a closed trailer — otherwise, make sure the tractor is positioned and secured to prevent wind damage to the canopy, cab enclosure or doors.

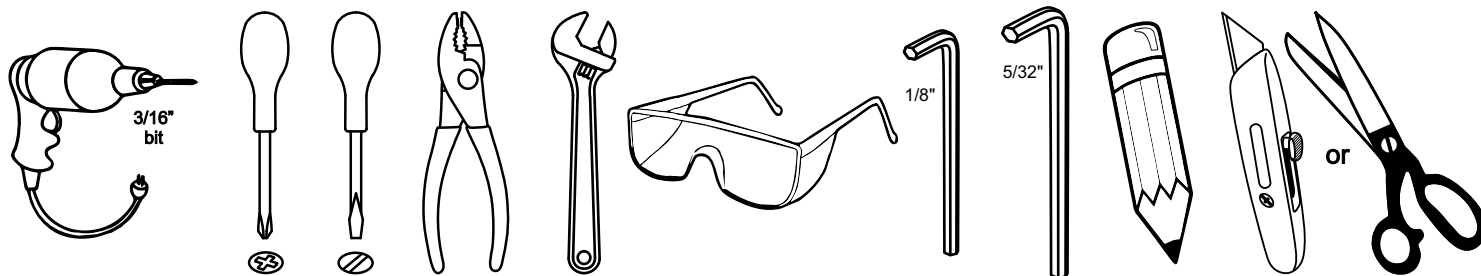


BEFORE YOU PROCEED... be sure to install all other components (cabs, canopies, enclosures, etc.) prior to installing the swinging door - Follow the instructions that came with your enclosure before installing this door. It is very important that you follow these instructions for a proper fit. Read these entire instructions once through prior to starting installation, to familiarize yourself with the overall installation steps. When fitting, make sure the edges of the swinging door match the fenders and floor board. If you have any questions about installation please contact customer service at (904) 316-0532 or (904) 394-0706. Visit our website at CoverMyTractor.com for other installation instructions.

Thank you and enjoy your CoverMyTractor Swinging Door!

TOOLS REQUIRED:

Drill with 3/16" bit • Phillips Head Screw Driver • Flat Head Screw Driver • Pliers or Adjustable Wrench • Eye Protection • 1/8" Allen Wrench • 5/32" Allen Wrench • Pencil or Marker • Cutter or Scissors



STEP 1 UNPACKING AND FAMILIARIZING THE CONTENTS:

Unpack your Cover My Tractor Swinging Door and remove all the parts. You may wish to keep the packaging material in as good as shape as possible so you can reuse it when you store the door back into the bag for storage or shipping. Lay the door out on a flat surface, at room temperature - DO NOT try to bend the door when cold. On the next page is a parts list and general assembly layout. You may inventory your parts and familiarize yourself with the general layout and assembly of the door. Be sure that all the parts are in the box.



CARE AND MAINTENANCE:

Wash door with mild dish soap or use 401, 402 and 403 cleaning products from our website. Rinse and dry off immediately with a soft cloth or chamois. Care products can be found on our website COVERMYTRACTOR.COM.

Cover My Tractor, LLC
3145 E Chandler Blvd. Ste. 110-401
Phoenix, AZ 85048
Phone: (904) 316-0532
or (904) 394-0706
www.covermytractor.com

Parts List and General Assembly Layout

This page lists and identifies the parts that come with your swinging door along with a "exploded view" general layout of the install positioning and how the parts relate to each other.

PLEASE NOTE: Parts pictured in this list may not be to scale with each other. Actual parts may differ slightly from photos shown based on your specific make and model. Some parts come semi-assembled as indicated.

#A - Swinging Door

Door Frame Parts:

- #Fr1 - Frame Pole, (Top)
- #Fr2 - Frame Pole, (*Preassembled, Hinge Side Top)
- #Fr3 - Frame Pole, (*Preassembled, Hinge Side Bottom)
- #Fr4 - Frame Pole, (Bottom)
- #Fr5 - Bent Frame Pole, (Handle Side Bottom)
- #Fr6 - Frame Pole, (Handle Side Top)
- 4 Screws
- 4 Nylon Lock Nuts

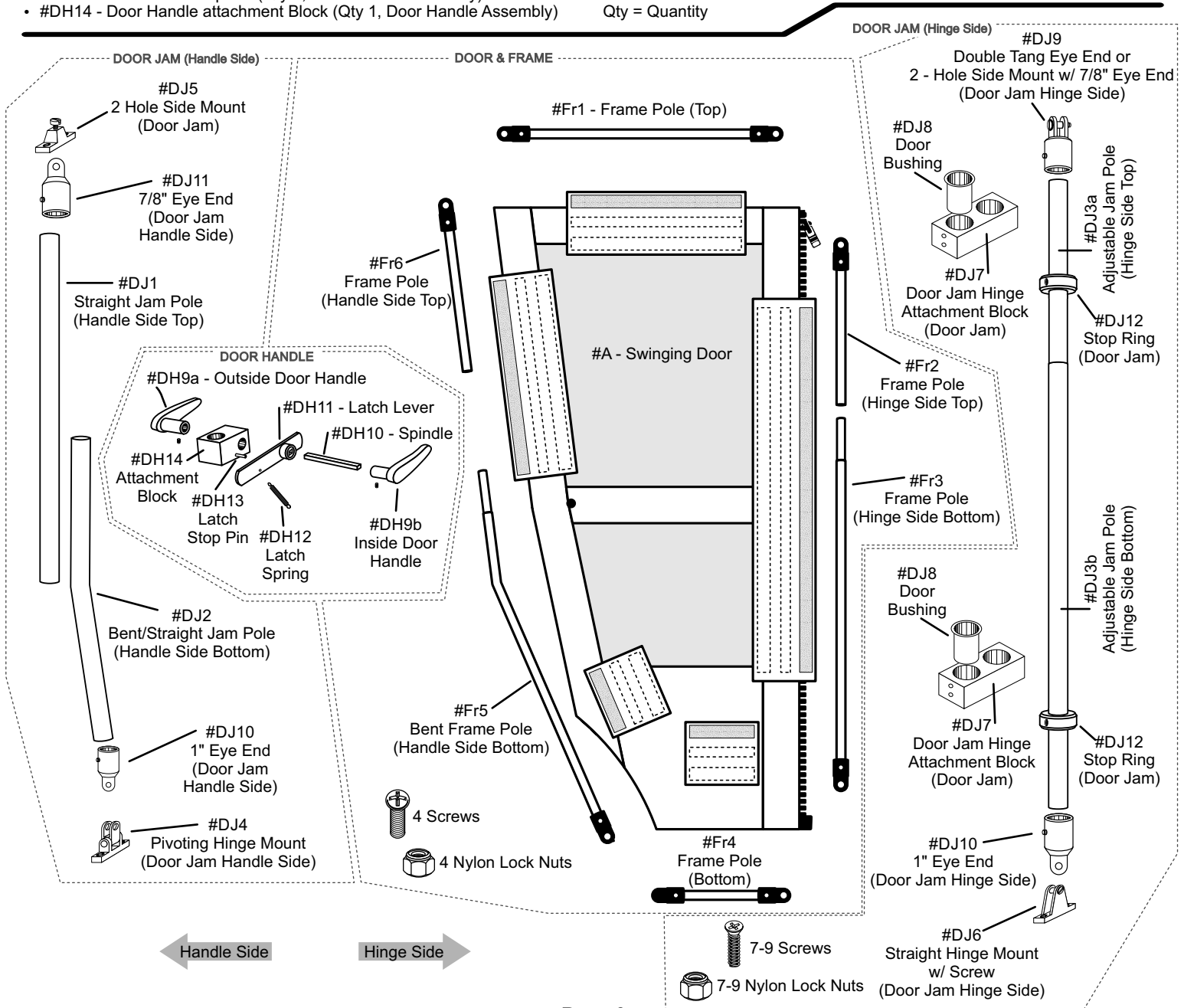
Door Handle Parts:

- #DH9a - Outside Door Handle (Qty 1, Door Handle Assembly)
- #DH9b - Inside Door Handle (Qty 1, Door Handle Assembly)
- #DH10 - Door Latch Spindle (Qty 1, Door Handle Assembly)
- #DH11 - Door Latch Lever (Qty 1, Door Handle Assembly)
- #DH12 - Door Latch Spring (Qty 1, Door Handle Assembly)
- #DH13 - Door Latch Stop Pin (Qty 1, Door Handle Assembly)
- #DH14 - Door Handle attachment Block (Qty 1, Door Handle Assembly)

Door Jam Parts:

- #DJ1 - Straight Jam Pole (Handle Side Top)
- #DJ2 - Bent/Straight Jam Pole (Handle Side Bottom)
- #DJ3a - Adjustable Jam Pole (*Preassembled, Hinge Side Top)
- #DJ3b - Adjustable Jam Pole (*Preassembled, Hinge Side Bottom)
- #DJ4 - Pivoting Hinge Mount (Qty 1, Door Jam)
- #DJ5 - 2 Hole Side Mount (Qty 1, Door Jam)
- #DJ6 - Straight Hinge Mount w/ Screw (Qty 1, Door Jam)
- #DJ7 - Door Jam Hinge Attachment Block (Qty 2, Door Jam)
- #DJ8 - Door Bushing (Qty 5: 4 for the hinges and 1 for the door handle)
(Note: Bushings will already be inside of the Door Jam Hinge Block and the Door Handle Block)
- #DJ9 - Double Tang Eye End 7/8" (Qty 1, Door Jam)
- #DJ10 - Eye End 1" (Qty 2, Door Jam)
- #DJ11 - Eye End 7/8" (Qty 1, Door Jam)
- #DJ12 - Stop Rings (Qty 2, Door Jam)
- 7-9 Screws
- 7-9 Nylon Lock Nuts

Qty = Quantity



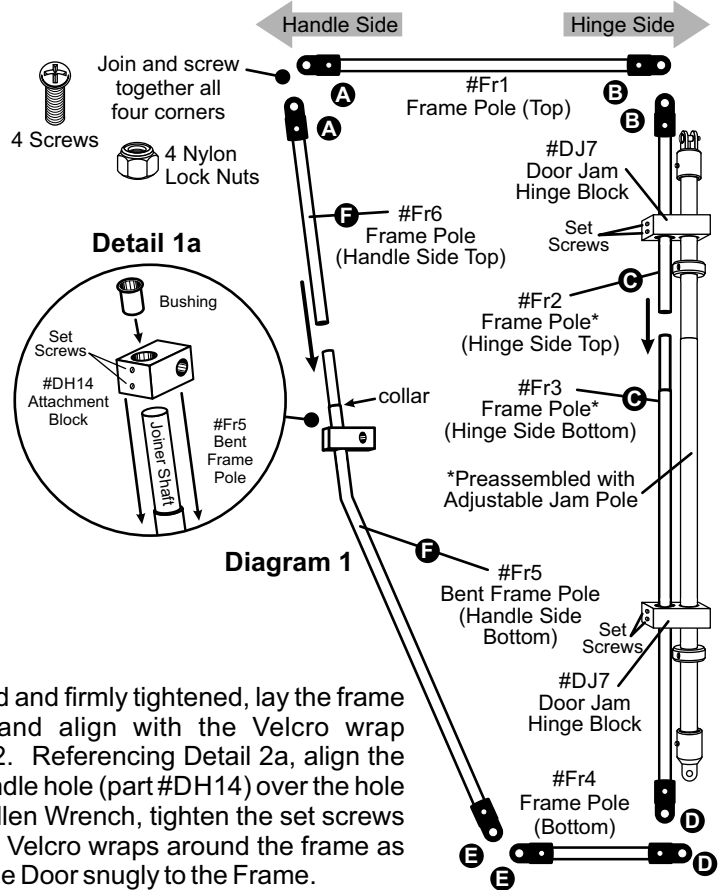
STEP 2 ASSEMBLING THE DOOR & FRAME:

Identify and layout the Frame Pole parts as shown in Diagram 1.

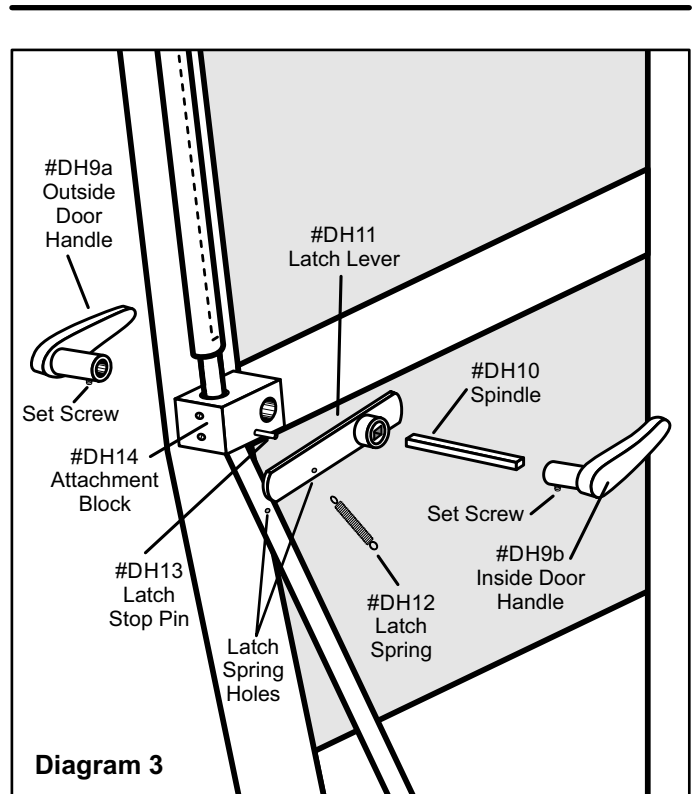
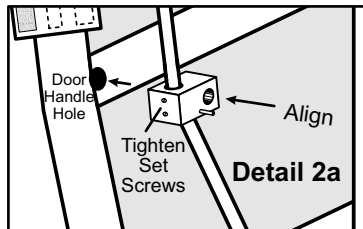
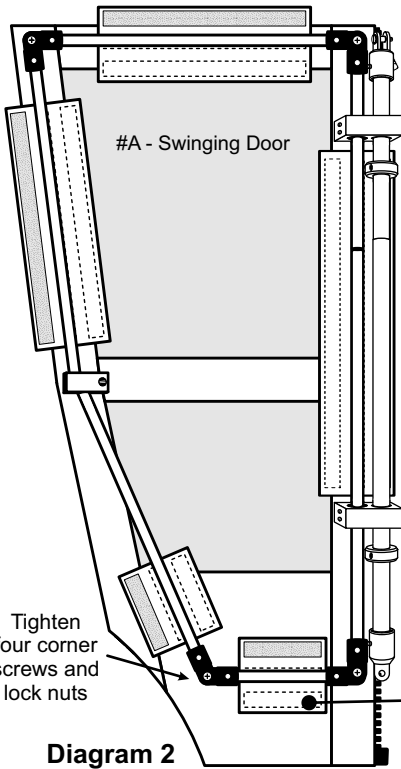
Start by inserting the Door Handle Attachment Block (part #DH14) onto the top of the Bent Frame Pole joiner shaft (part #Fr5) and position it slightly below the collar of the joiner shaft as shown in Detail 1a. The set screws will be tightened in place in the next step.

To complete the sides of the door frame, slide the top Frame Pole (part #Fr6) onto the joiner shaft of bottom Frame Pole (part #Fr5) handle side (or **F** to **F**), and top Frame Pole (part #Fr2) onto the joiner shaft of bottom Frame Pole (part #Fr3) hinge side (or **G** to **G**) as indicated by the arrows in Diagram 1. **NOTE: the hinge side Frame Pole, Hinge Blocks and hinge sided Jam Pole will come preassembled and will need to be adjusted up or down to your specific tractor.** Hinge Block set screws (part #DJ7) will need to be adjusted and tightened accordingly.

Next, following the layout in Diagram 1, connect the four corners of the Frame Top, Sides and Bottom with the 4 Round-Head Phillips Screws and 4 Nylon Lock Nuts provided. For easy corner matching the ends of the frame pole parts are labeled: match **A** to **A**, **B** to **B**, **D** to **D**, and **E** to **E**.



When the frame is assembled and firmly tightened, lay the frame over the Door (part #A) and align with the Velcro wrap attachments as in Diagram 2. Referencing Detail 2a, align the Doors Attachment Block Spindle hole (part #DH14) over the hole in the Door. Using a 5/32" Allen Wrench, tighten the set screws on the Block. Secure all the Velcro wraps around the frame as seen in Detail 2b - securing the Door snugly to the Frame.

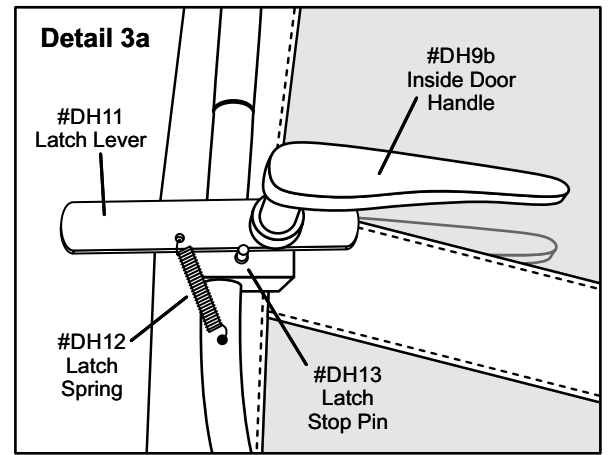


STEP 3 ASSEMBLING THE DOOR HANDLE:

Reference Diagram 3 to assemble the door handle. The Handle will come assembled so you can disassemble it and see how it fits together. First use the allen wrench to loosen the set screw on the Outside Door Handle (part #DH9a) and remove the handle. The Inside Door Handle (part #DH9b), Spindle (part #DH10) and Latch Lever (part #DH11) should still be assembled. Insert the Spindle through the Attachment Block (part #DH14) and Door, then re-attach the Outside Door Handle, being sure to have both Handles facing in the same direction toward the hinge side.

Once you have assembled the door handle you must then hook the Latch Spring ends (part #DH12) between the two Latch Spring Holes: one hole on the Latch Lever (part #DH11) and the other on the Frame Pole (part #Fr5) or attachment block, depending on your tractor. The spring will hold the Lever down and resting on top of the Latch Stop Pin (part #DH13). Once the Door Jam is installed the Lever will engage the Jam to hold the Door shut.

The completed Door Handle assembly will look like Detail 3a



STEP 4 INSTALLING THE DOOR JAM

(HANDLE SIDE):

Your cab enclosure should be installed fully before installing the door. The Handle Side Door Jam will come preassembled with the following parts (refer to Diagram 4):

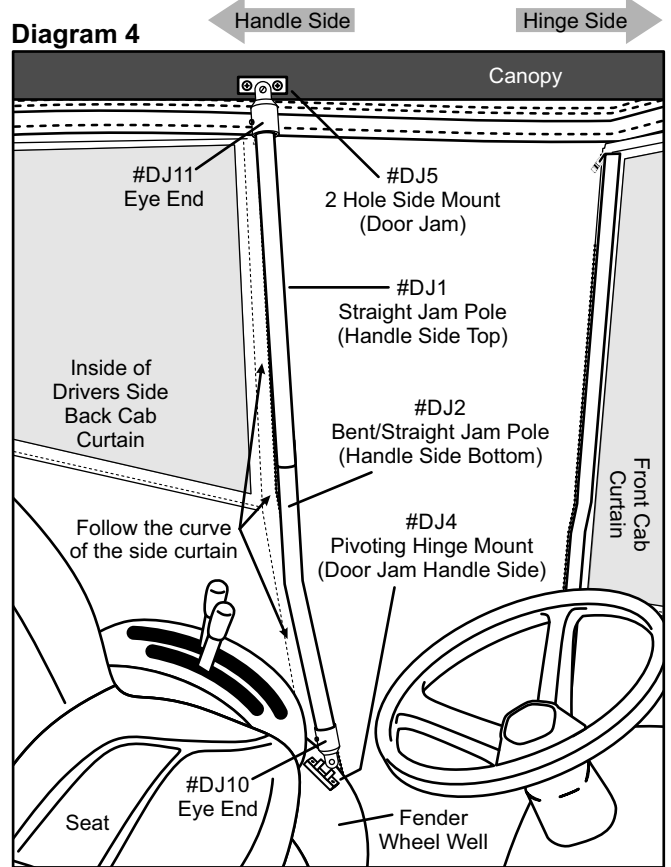
- #DJ5 - 2 Hole Side Mount (Door Jam, Top)
- #DJ11 - 7/8" Eye End (Door Jam Handle Side Top)
- #DJ1 - Straight Jam Pole (Handle Side Top)
- #DJ2 - Bent/Straight Jam Pole (Door Jam, Handle Side Bottom)
- #DJ10 - 1" Eye End (Door Jam, Handle Side Bottom)
- #DJ4 - Pivoting Hinge Mount (Door Jam, Handle Side Bottom)

Locate the best position for mounting the handle side of the Door Jam. This should follow the curve of the side curtain and mount at the top inside of the roof and on the fender, as shown in Diagram 4.

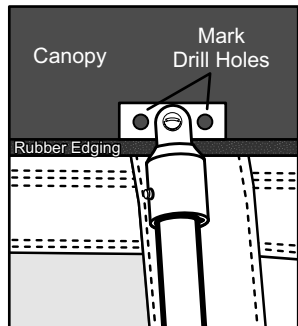
NOTE: There will be Velcro on the door mount to help secure the side curtain to the door jam.

Using a marker, mark where the two screw holes of the mounts will need to be drilled:

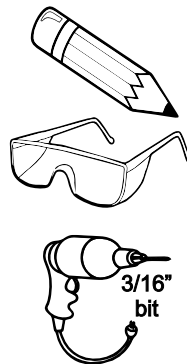
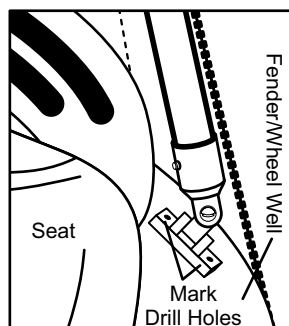
- on top, at the Canopy edge, where it meets the 2 Hole Side Mount (part #DJ5) as in Detail 4a.
- and on the bottom at the Fender/Wheel Well, where the Pivoting Hinge Mount (part #DJ4) will rest upon it, as in Detail 4b and Diagram 4.



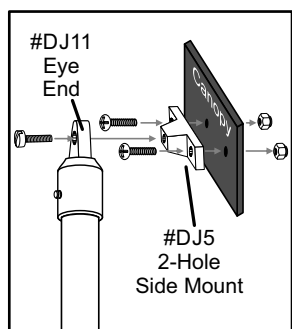
Detail 4a



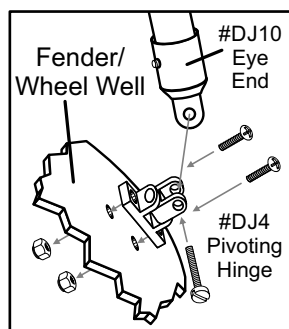
Detail 4b



Detail 4a-1



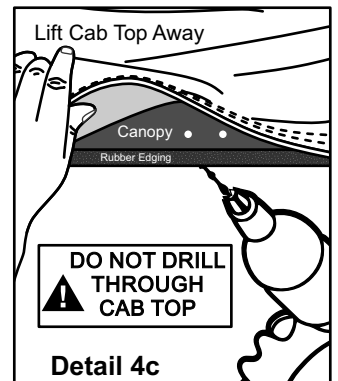
Detail 4b-1



Drill the holes for the screws in the canopy and the Fender/Wheel Well - **take care to lift the cab top material so as to not drill through it** as shown in Detail 4c. Make sure, when drilling the Fender/Wheel Well, that the same attention is made as to not drill or damage any important parts.



Secure the Jam Pole mounts (parts #DJ5 and #DJ4) with the 4 flat head Phillips Screws and 4 Nylon Lock Nuts provided, following the assembly schemes in Detail 4a-1 and Detail 4b-1.



Using the supplied screws and nylon lock nuts, secure the Poles Eye Ends (parts #DJ11 and #DJ10) to the mounts (parts #DJ5 and #DJ4) following the schemes in Detail 4a and 4a-1, and Detail 4b and 4b-1. The Eye End hinges are threaded for screws.

STEP 5 ATTACHING THE HINGE SIDE JAM & DOOR:

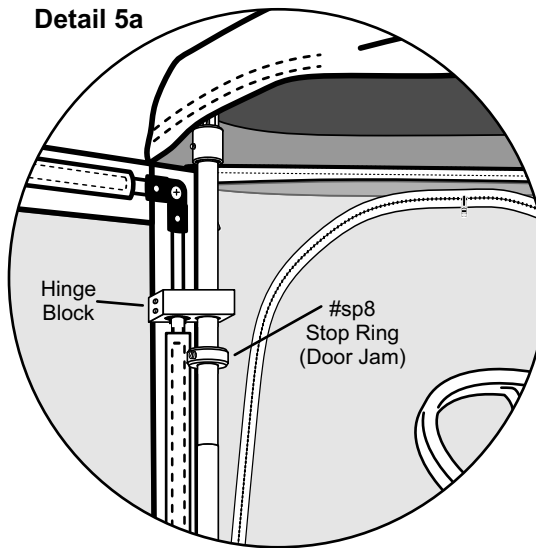
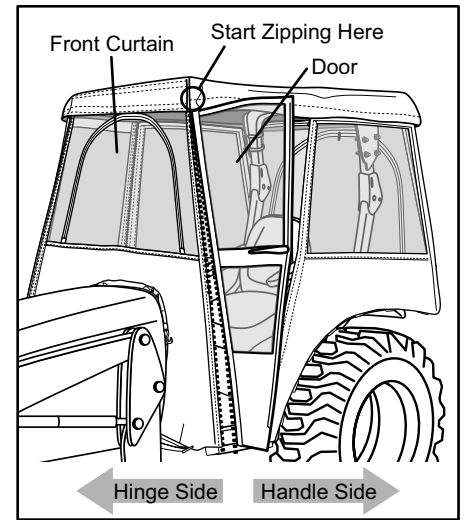
Zip the door to the front curtain as in Diagram 5. Then hold the door jam, with the door on, to help locate the position that works best for your tractor. This should be just before the door. Reference Diagram 5-1.

Adjust the Door Jam Stop Ring (parts #DJ12) up or down to hold the door, as shown in Detail 5a. Tighten the set screws on the Stop Rings to hold them in place. The Hinge Block set screws may need re-adjustment. The Hinge Blocks should rest naturally on top of the set Stop Rings so that the door will align for proper closure. The top of the door should close against 3/4" of the roof, pushing slightly inside, so the rain runs off over the door.

The double tang eye end (part #DJ9) should be held to straddle the edge of the canopy roof on the inside and outside, as shown in Detail 5b. The rubber edging on the roof may need to be cut away with a box cutter or scissors once you have established where the double tang eye end will be located, reference Detail 5b-1.

Mark the bolt holes in order to drill them for the top and bottom mount using a 3/16" drill bit. **Take care to lift the cab top material so as to not drill through it** as shown in Detail 4c. Make sure, when drilling the floor mount, that the same attention is made as to not drill or damage any important parts.

Diagram 5



Assemble the top mount as in Detail 5b, inserting the screw through the Eye End and Canopy and tightening (the Eye End is threaded for the screw already). Assemble the bottom mount as in Detail 5c, attaching the Hinge Mount (part #DJ6) to the floorboard with two screws, through to the Nylon Lock Nuts on the underside of the Floor Board (as in the side view of Detail 5c-view2). Then screw the Eye End (part #DJ10) to the Hinge Mount. Once everything is mounted, it should look like the picture in Detail 5b-1 and Detail 5c-1.

