

Mounting Instructions for PN1 & PN2 for HDPE Canopy Kits with Mounting Brackets and Hardware

(HDPE - High Density Polyethylene)



⚠️ TO AVOID PERSONAL INJURY:

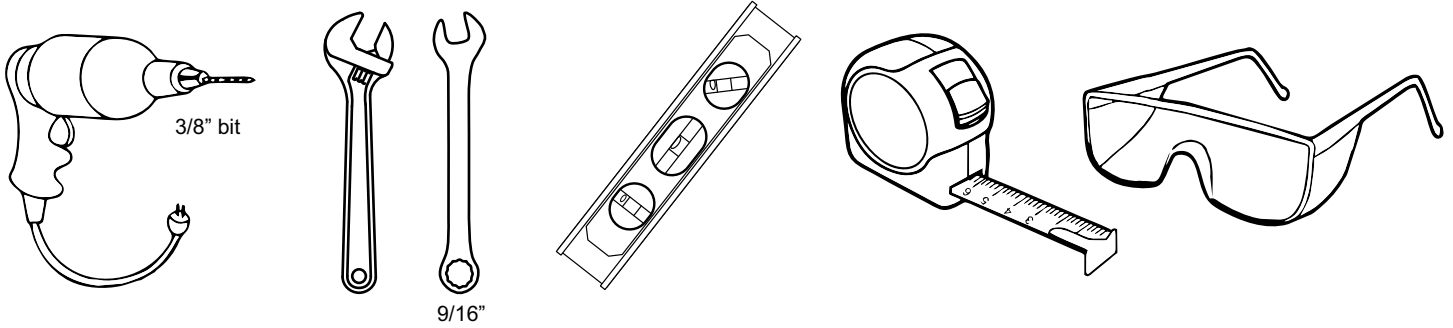
- ▲ Position the tractor on level ground
- ▲ Place loader bucket flat on ground (if equipped)
- ▲ Apply parking brake
- ▲ Shut off engine
- ▲ Remove key

⚠️ TRANSPORTING:

- ▲ When Transporting the Tractor with a CANOPY at highway speeds, make sure the Tractor is positioned to prevent wind damage to the CANOPY.

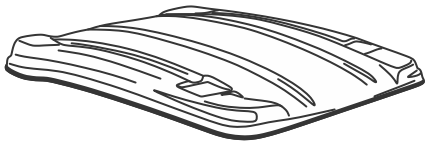
ESSENTIAL TOOLS REQUIRED:

Drill with 3/8" bit • Two 3/4" wrenches • Two 9/16" wrenches (or adjustable) • Level • Tape measure • Eye Protection



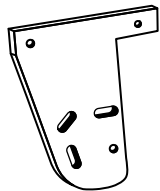
PARTS LIST

Part: Canopy Top (qty 1)



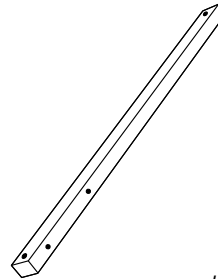
PN1 for HDPE Canopy (Size: 47w x 59L)
OR
PN2 for HDPE Canopy (Size: 52w x 65L)

Canopy Mounting Bracket Kit Includes:

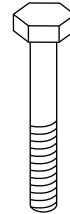


#A - Canopy Mount Brackets (qty 2)

(CMB-left & CMB-right)



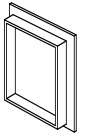
#B - Mounting Tubes 48" x 1 1/2" (qty 2)



#C - Bracket Bolts 3/8" x 2 1/4" (qty 4)



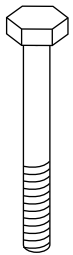
#D - Plain Washers 3/8" (qty 4)



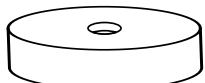
#F - End Cap Plugs (qty 4)



#E - 'Nylock' Nuts 3/8" (qty 4)



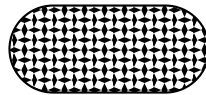
#I - Roof Bolts 3/8" x 2 1/2" (qty 4)



#K - Rubber Isolator Washers 3/8" (qty 4)



#M - 'Nylock' Nuts 3/8" (qty 4)



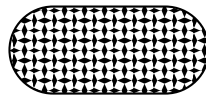
#N - Reflectors - Amber (qty 2)



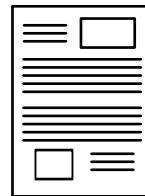
#L - Plain Washers 3/8" (qty 4)



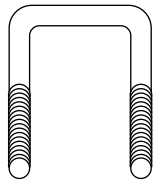
#J - Rubber-faced concave Washers 3/8" (qty 4)



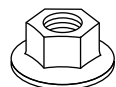
#O - Reflectors - Red (qty 2)



#P - Mounting Instructions (qty 1)



#G - Threaded U-Bolts (sized per ROPS) (qty 4)

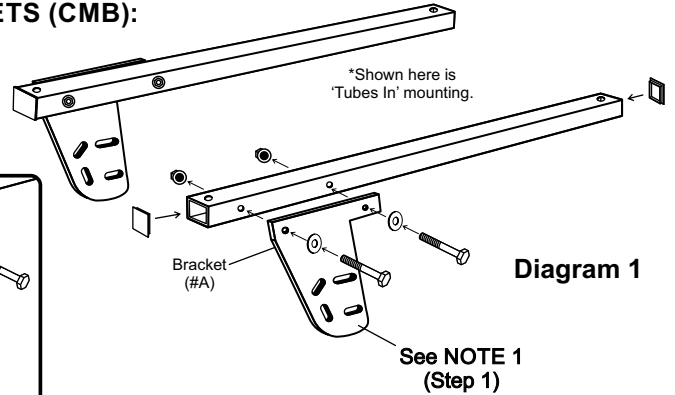


#H - Flange Nuts 1/2" (qty 8)

IMPORTANT: Never modify or repair a ROPS. Welding, bending, drilling, grinding, or cutting may weaken the structure.

STEP 1 ASSEMBLING THE CANOPY MOUNT BRACKETS (CMB):

Install End Cap Plugs (#F) into each end of the tubes (#B). Align bracket (#A) on holes of square tubing (#B) Using bolt (#C), Washer (#D) and Nut (#E) assembled per Diagram 1, creating the Canopy Mounting Brackets (CMB).



NOTE 1 (Step 1)

Forward Leaning ROPS

If you have a forward leaning ROPS than flip brackets (#A) front to back (both sides).

FLIP

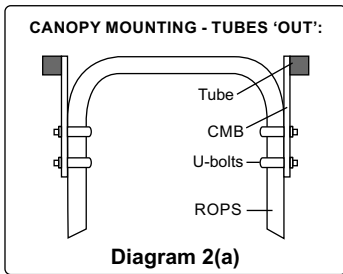
STEP 2 ATTACHING THE ROLL OVER PROTECTION SYSTEM (ROPS) AND TUBE UNITS:

Measure the outside to outside width of the Roll Over Protection System (ROPS) to determine whether the tubes mount inward or outward as shown in the Diagrams 2(a) and 2 (b). below.

TUBES OUT

On applications with the Tubes **OUT**, attach them with the tubes facing outside the tractor and level with the top of the Roll-Bar.

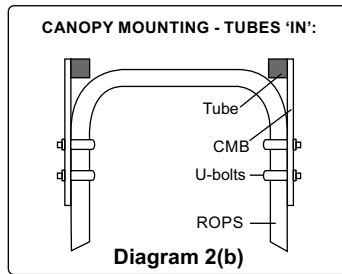
PN1: measures less than 36 inches
PN2: measures less than 42 inches



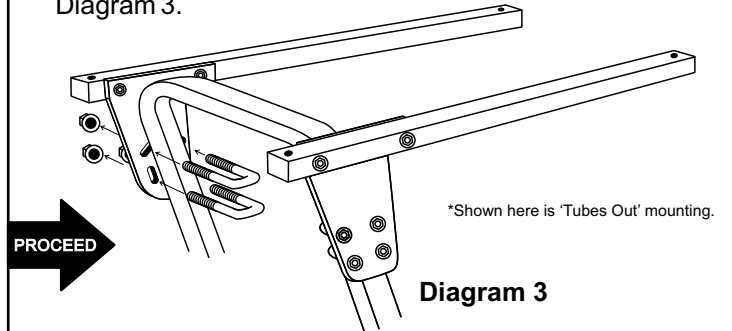
TUBES IN

On applications with the Tubes **IN**, attach them with the tubes facing inside the tractor and lower the tubes so they almost touch the Roll-Bar.

PN1: measures more than 36 inches
PN2: measures more than 42 inches



Take CMB bracket left and right and **loosely** bolt them to the ROPS with the u-bolts (#G) and nuts (#H) as per Diagram 3.

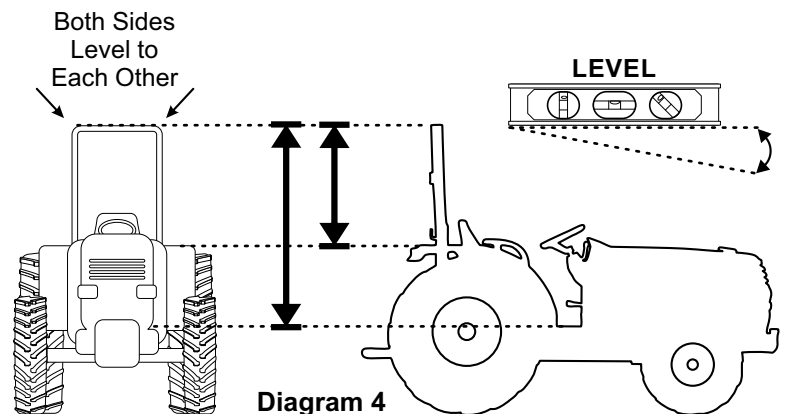


NOTE 1 (Step 2):

- (1) ROPS that are tapered toward the centerline will not sit flush with the canopy until the rubber washers are in place when mounting the canopy.
- (2) Canopies that have a bracket welded to the sides of the ROPS either need to remove the bracket or add a SPACER between CMB and the ROPS during installation.
- (3) Contact Cover My Tractor if longer U-bolts (#G) are needed.

STEP 3

The tubes should be raised and lowered per the tractor cab enclosure mounting diagram if one is available. Mount either level or with a very slight angle front to back. Make sure brackets are the same height on each side, by measuring the distance off a common point on the tractor on both sides per Diagram 4. You can check with Cover My Tractor for model measurements or download them off of our website. If no tractor cab pattern exists then no measurements will exist. Check back as we are constantly adding tractor cab patterns to our website. Tighten once the brackets are positioned and level.



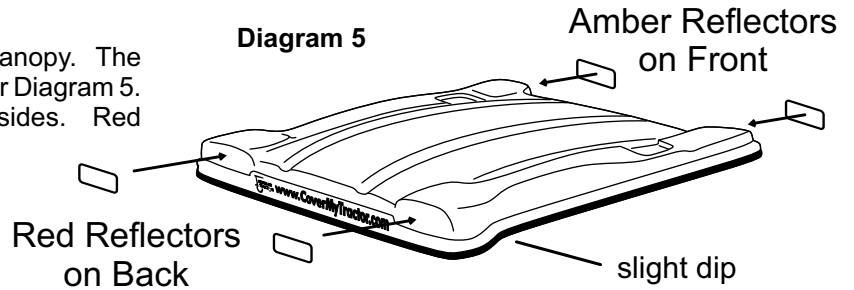


If Tractor Cab is to be installed, DO NOT drill holes into canopy until the very last step!

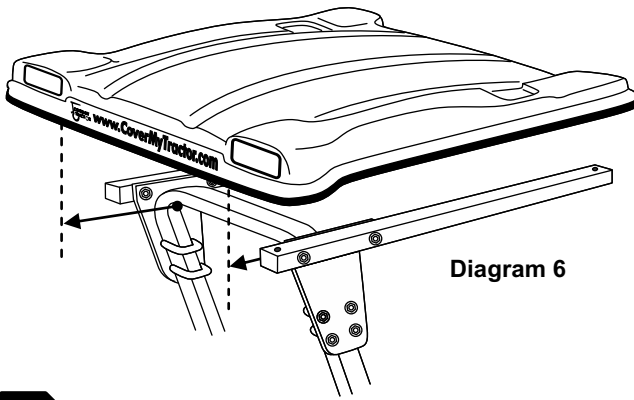


STEP 4a

Peel and stick the Reflectors (#N) and (#O) onto the canopy. The covermytractor logo will be on the back of the canopy per Diagram 5. There is also a slight dip in the rear of the canopy sides. Red reflectors on back and amber on front.



STEP 4b



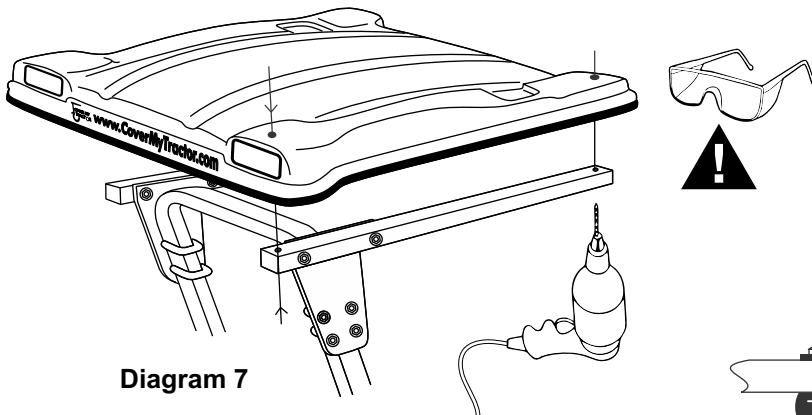
- Place the canopy onto the tubes.
- Measure from the back of the canopy to the back of the ROPS on both sides and make sure it is centered side to side, as seen in Diagram 6.

NOTE 1 (Step 4b):

Tube mounting holes should align with flat parts of canopy. Some manual pulling of the front of the tubes can be done if needed to make it rest on the flats of the canopy.



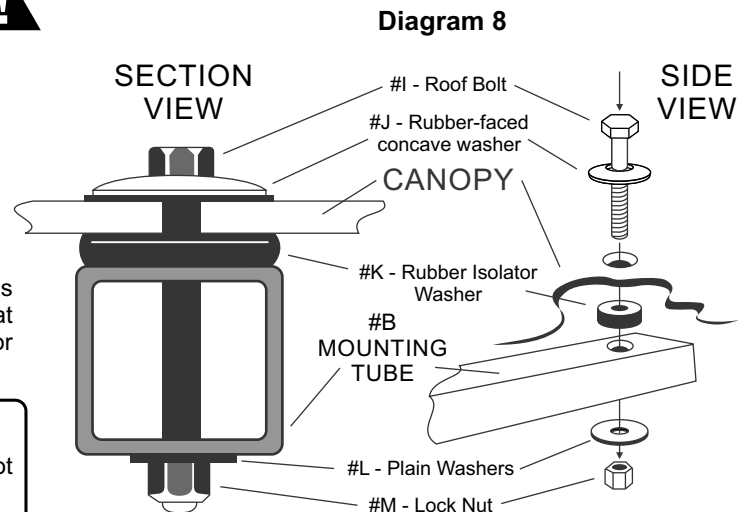
If Tractor Cab is to be installed, refer to Tractor Cab Installation sheets at this time!



- Once positioned correctly, drill through the existing four tube holes using protective eyewear (Diagram 7) and loosely assemble at each location using bolt (#I), concave washer (#J), rubber isolator (#K), washer (#L), and nut (#M) per section Diagram 8.

NOTE 2 (Step 4b):

- (1) Make sure the canopy is held secure while drilling so it does not shift from original measured position.
- (2) For Tapered ROPS drill through tube holes and mount as per instructions. The fact that the tubes are at an angle will not impact assembly. A wedge shaped spacer (not supplied) can be used if so desired.
- (3) If wedge spacer is used contact Cover My Tractor for longer u-bolts.



STEP 4c

Finally tighten all four (4) nuts in order, as shown in Diagram 9, so that the rubber isolator washer is slightly compressed, creating a slight bulge as seen in Diagram 9a.

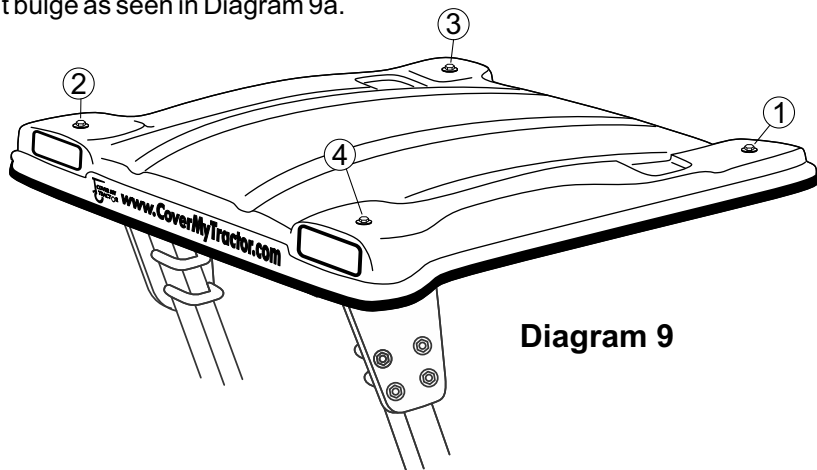
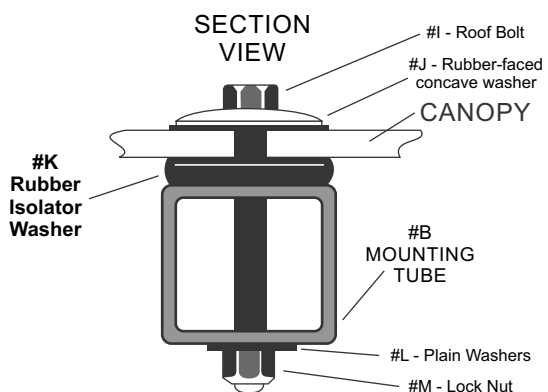


Diagram 9

Diagram 9a



CARE AND MAINTENANCE:

Wash canopy with mild dish soap or use 401, 402 and 403 cleaning products from our website. Rinse and dry off immediately with a soft cloth or chamois. Canopy can be buffed using high quality automotive polishing compound or purchase 403 polish from our website COVERMYTRACTOR.COM.

Cover My Tractor, LLC

3145 E Chandler Blvd. Ste. 110-401
Phoenix, AZ 85048
Phone: (904) 316-0532
or (904) 384-0706
www.covermytractor.com